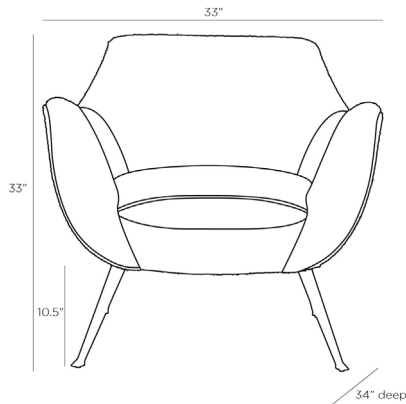


ARTERIOS

LEANDRO LOUNGE CHAIR



8160

H: 33 IN, W: 33 IN, D: 34 IN

Paprika Velvet

Contract Suitable As Is

Inspired by mid-century modern aesthetics the Leandro Lounge Chair displays a curvaceous design with its swooping arms and mid-rise back. Covered in paprika velvet, a tight seat and back combine with a U shaped profile. Tapered iron legs are angled outward and finished in an antique brass to complete the look.

APPEARANCE

Material	Iron, Velvet
Finish	Antique Brass, Paprika
Top Coat/Sealant	false

DIMENSIONS

Arm	H: 25 IN, W: 5 IN, D: 19.5 IN
Foot Print	W: 26 IN, D: 28 IN
Leg	H: 10.5 IN
Seat Back Height	16 IN
Seat	W: 21 IN, D: 22 IN
Seat Height	17 IN
Seat Cushion Thickness	5 IN
Seat	W: 21 IN, D: 22 IN

SHIPPING

Shipping Requirements	TruckShip
Product Weight	44 LBS
Gross Weight 1	50 LBS
Shipping Box 1	H: 35 IN, L: 35 IN, W: 36 IN

CONTRACT

Contract Suitable	true
Fabric Composition	74% Cotton, 26% Polyester
Fabric Double Rub Count	100,000
Fabric Compliancy	NFPA-260, TB117-2013
Contract Textile Suitability	High Traffic/Public Spaces
Swatch Number	V31SW, V318X8